

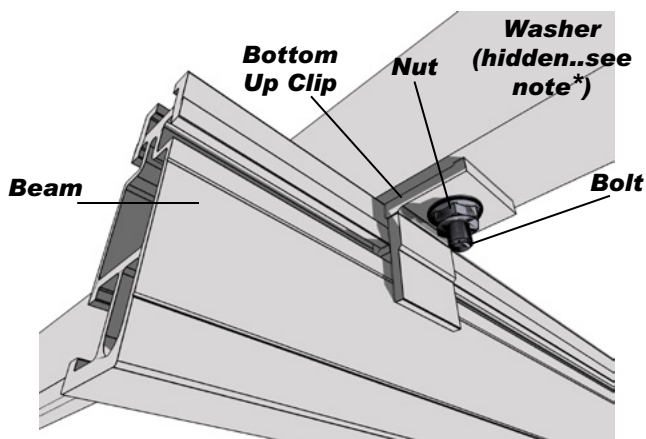
SOLARMOUNT Technical Datasheet

Pub 130817

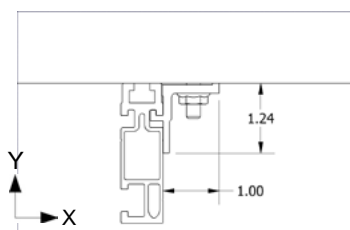
SOLARMOUNT Module Connection Hardware	1
Bottom Up Module Clip.....	1
Mid Clamp	2
End Clamp.....	2
SOLARMOUNT Beam Connection Hardware	3
L-Foot.....	3
SOLARMOUNT Beams	4

SOLARMOUNT Module Connection Hardware

SOLARMOUNT Bottom Up Module Clip Part No. 302000C



- **Bottom Up Clip material:** One of the following extruded aluminum alloys: 6005-T5, 6105-T5, 6061-T6
- **Ultimate tensile:** 38ksi, Yield: 35 ksi
- **Finish:** Clear Anodized
- **Bottom Up Clip weight:** ~0.031 lbs (14g)
- Allowable and design loads are valid when components are assembled with SOLARMOUNT series beams according to authorized UNIRAC documents
- Assemble with one ¼"-20 ASTM F593 bolt, one ¼"-20 ASTM F594 serrated flange nut, and one ¼" flat washer
- Use anti-seize and tighten to 10 ft-lbs of torque
- Resistance factors and safety factors are determined according to part 1 section 9 of the 2005 Aluminum Design Manual and third-party test results from an IAS accredited laboratory
- Module edge must be fully supported by the beam
- * **NOTE ON WASHER:** Install washer on bolt head side of assembly. **DO NOT** install washer under serrated flange nut

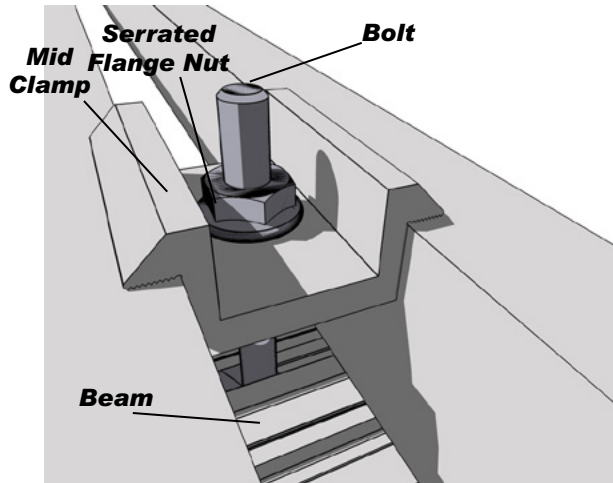


Applied Load Direction	Average Ultimate lbs (N)	Allowable Load lbs (N)	Safety Factor, FS	Design Load lbs (N)	Resistance Factor, Φ
Tension, Y+	1566 (6967)	686 (3052)	2.28	1038 (4615)	0.662
Transverse, X±	1128 (5019)	329 (1463)	3.43	497 (2213)	0.441
Sliding, Z±	66 (292)	27 (119)	2.44	41 (181)	0.619

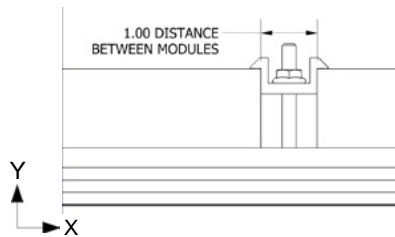
Dimensions specified in inches unless noted

SOLARMOUNT Mid Clamp

Part No. 302101C, 302101D, 302103C, 302104D, 302105D, 302106D



- **Mid clamp material:** One of the following extruded aluminum alloys: 6005-T5, 6105-T5, 6061-T6
- **Ultimate tensile:** 38ksi, Yield: 35 ksi
- **Finish:** Clear or Dark Anodized
- **Mid clamp weight:** 0.050 lbs (23g)
- Allowable and design loads are valid when components are assembled according to authorized UNIRAC documents
- Values represent the allowable and design load capacity of a single mid clamp assembly when used with a SOLARMOUNT series beam to retain a module in the direction indicated
- Assemble mid clamp with one Unirac 1/4"-20 T-bolt and one 1/4"-20 ASTM F594 serrated flange nut
- Use anti-seize and tighten to 10 ft-lbs of torque
- Resistance factors and safety factors are determined according to part 1 section 9 of the 2005 Aluminum Design Manual and third-party test results from an IAS accredited laboratory

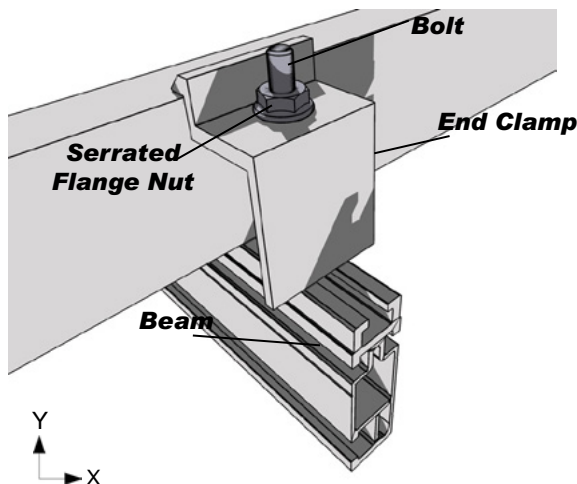


Dimensions specified in inches unless noted

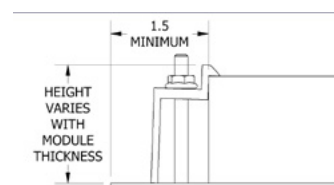
Applied Load Direction	Average Ultimate lbs (N)	Allowable Load lbs (N)	Safety Factor, FS	Design Load lbs (N)	Resistance Factor, Φ
Tension, Y+	2020 (8987)	891 (3963)	2.27	1348 (5994)	0.667
Transverse, Z±	520 (2313)	229 (1017)	2.27	346 (1539)	0.665
Sliding, X±	1194 (5312)	490 (2179)	2.44	741 (3295)	0.620

SOLARMOUNT End Clamp

Part No. 302001C, 302002C, 302002D, 302003C, 302003D, 302004C, 302004D, 302005C, 302005D, 302006C, 302006D, 302007D, 302008C, 302008D, 302009C, 302009D, 302010C, 302011C, 302012C



- **End clamp material:** One of the following extruded aluminum alloys: 6005-T5, 6105-T5, 6061-T6
- **Ultimate tensile:** 38ksi, Yield: 35 ksi
- **Finish:** Clear or Dark Anodized
- **End clamp weight:** varies based on height: ~0.058 lbs (26g)
- Allowable and design loads are valid when components are assembled according to authorized UNIRAC documents
- Values represent the allowable and design load capacity of a single end clamp assembly when used with a SOLARMOUNT series beam to retain a module in the direction indicated
- Assemble with one Unirac 1/4"-20 T-bolt and one 1/4"-20 ASTM F594 serrated flange nut
- Use anti-seize and tighten to 10 ft-lbs of torque
- Resistance factors and safety factors are determined according to part 1 section 9 of the 2005 Aluminum Design Manual and third-party test results from an IAS accredited laboratory
- Modules must be installed at least 1.5 in from either end of a beam

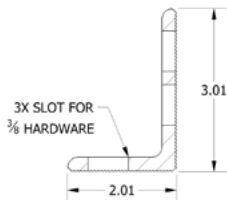
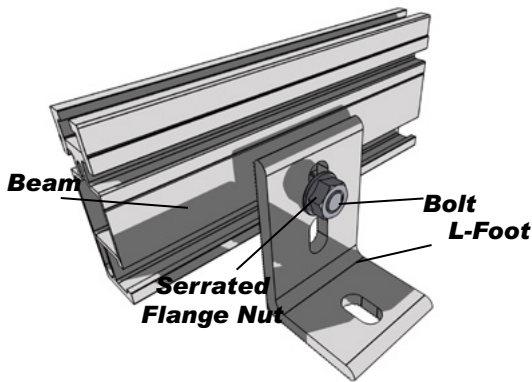


Dimensions specified in inches unless noted

Applied Load Direction	Average Ultimate lbs (N)	Allowable Load lbs (N)	Safety Factor, FS	Design Loads lbs (N)	Resistance Factor, Φ
Tension, Y+	1321 (5876)	529 (2352)	2.50	800 (3557)	0.605
Transverse, Z±	63 (279)	14 (61)	4.58	21 (92)	0.330
Sliding, X±	142 (630)	52 (231)	2.72	79 (349)	0.555

SOLARMOUNT Beam Connection Hardware

SOLARMOUNT L-Foot Part No. 304000C, 304000D



Dimensions specified in inches unless noted

- **L-Foot material:** One of the following extruded aluminum alloys: 6005-T5, 6105-T5, 6061-T6
- **Ultimate tensile:** 38ksi, Yield: 35 ksi
- **Finish:** Clear or Dark Anodized
- **L-Foot weight:** 0.215 lbs (98g)
- Allowable and design loads are valid when components are assembled with SOLARMOUNT series beams according to authorized UNIRAC documents
- **For the beam to L-Foot connection:**
 - Assemble with one ASTM F593 3/8"-16 hex head screw and one ASTM F594 3/8" serrated flange nut
 - Use anti-seize and tighten to 30 ft-lbs of torque
- Resistance factors and safety factors are determined according to part 1 section 9 of the 2005 Aluminum Design Manual and third-party test results from an IAS accredited laboratory

NOTE: Loads are given for the L-Foot to beam connection only; be sure to check load limits for standoff, lag screw, or other attachment method

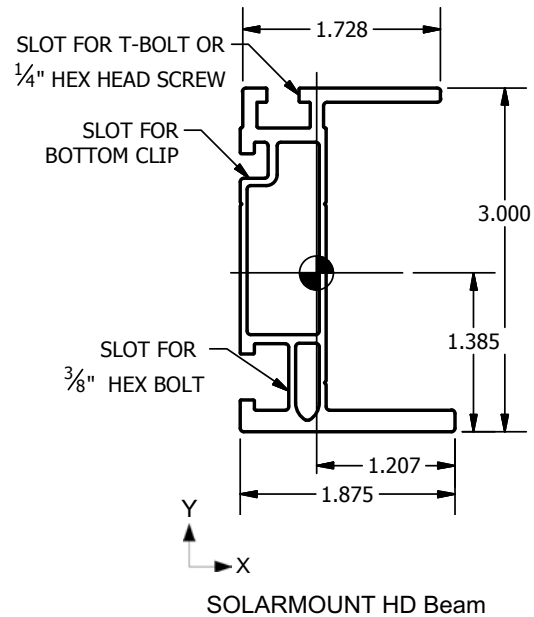
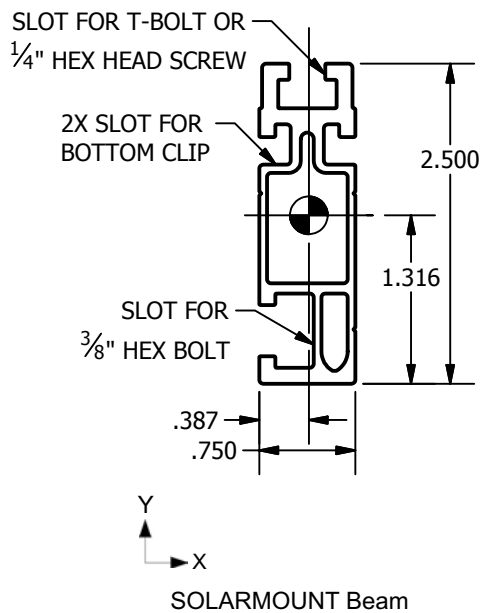
Applied Load Direction	Average Ultimate lbs (N)	Allowable Load lbs (N)	Safety Factor, FS	Design Load lbs (N)	Resistance Factor, Φ
Sliding, Z \pm	1766 (7856)	755 (3356)	2.34	1141 (5077)	0.646
Tension, Y+	1859 (8269)	707 (3144)	2.63	1069 (4755)	0.575
Compression, Y-	3258 (14492)	1325 (5893)	2.46	2004 (8913)	0.615
Traverse, X \pm	486 (2162)	213 (949)	2.28	323 (1436)	0.664

SOLARMOUNT Beams

Part No. 310132C, 310132C-B, 310168C, 310168C-B, 310168D
 310208C, 310208C-B, 310240C, 310240C-B, 310240D,
 410144M, 410168M, 410204M, 410240M

Properties	Units	SOLARMOUNT	SOLARMOUNT HD
Beam Height	in	2.5	3.0
Approximate Weight (per linear ft)	plf	0.811	1.271
Total Cross Sectional Area	in ²	0.676	1.059
Section Modulus (X-Axis)	in ³	0.353	0.898
Section Modulus (Y-Axis)	in ³	0.113	0.221
Moment of Inertia (X-Axis)	in ⁴	0.464	1.450
Moment of Inertia (Y-Axis)	in ⁴	0.044	0.267
Radius of Gyration (X-Axis)	in	0.289	1.170
Radius of Gyration (Y-Axis)	in	0.254	0.502

* Rails are extruded using these aluminum alloys: 6005-T5, 6105-T5, 6061-T6



Dimensions specified in inches unless noted