

TE Connectivity SOLARLOK Connectors

May 13, 2011

© 2011 Tyco Electronics Corporation. All Rights Reserved.
SOLARLOK, TE Connectivity, TE Connectivity (logo) and TE (logo) are
trademarks. Other logos, products and/or Company names might be
trademarks of their respective owners.

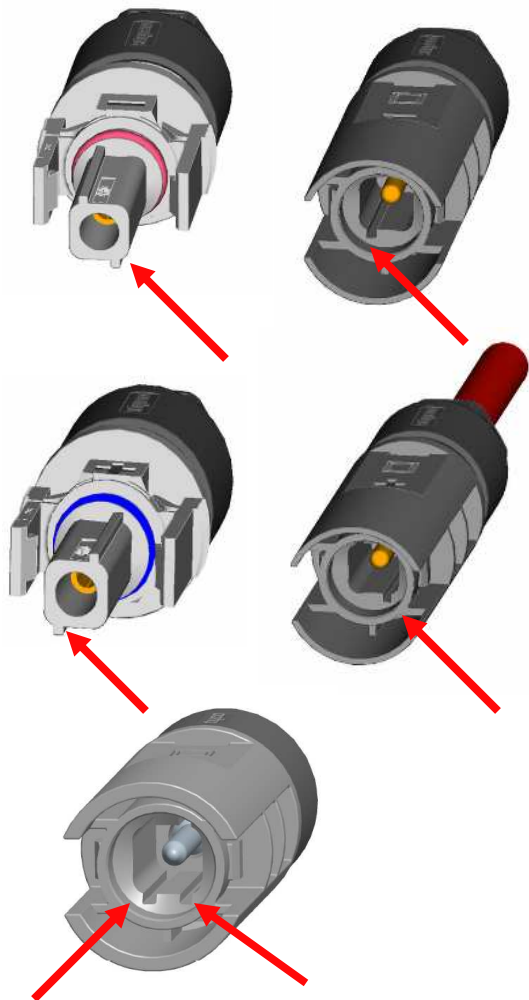


SOLARLOK Connectors

- SOLARLOK connectors reduce your labor time with plug and play interconnection of modules, and Balance of System components such as combiner boxes, DC Disconnects, and Inverters.
- Designed with a simple wire crimp, these latching connectors accommodate a wide range of wire sizes for a low applied cost. Polarity keyed housing helps to prevent mismatching. UL and TÜV approved.



SOLARLOK Connectors



Plus keyed female and male housings

Minus keyed female and male housings

Benefits:

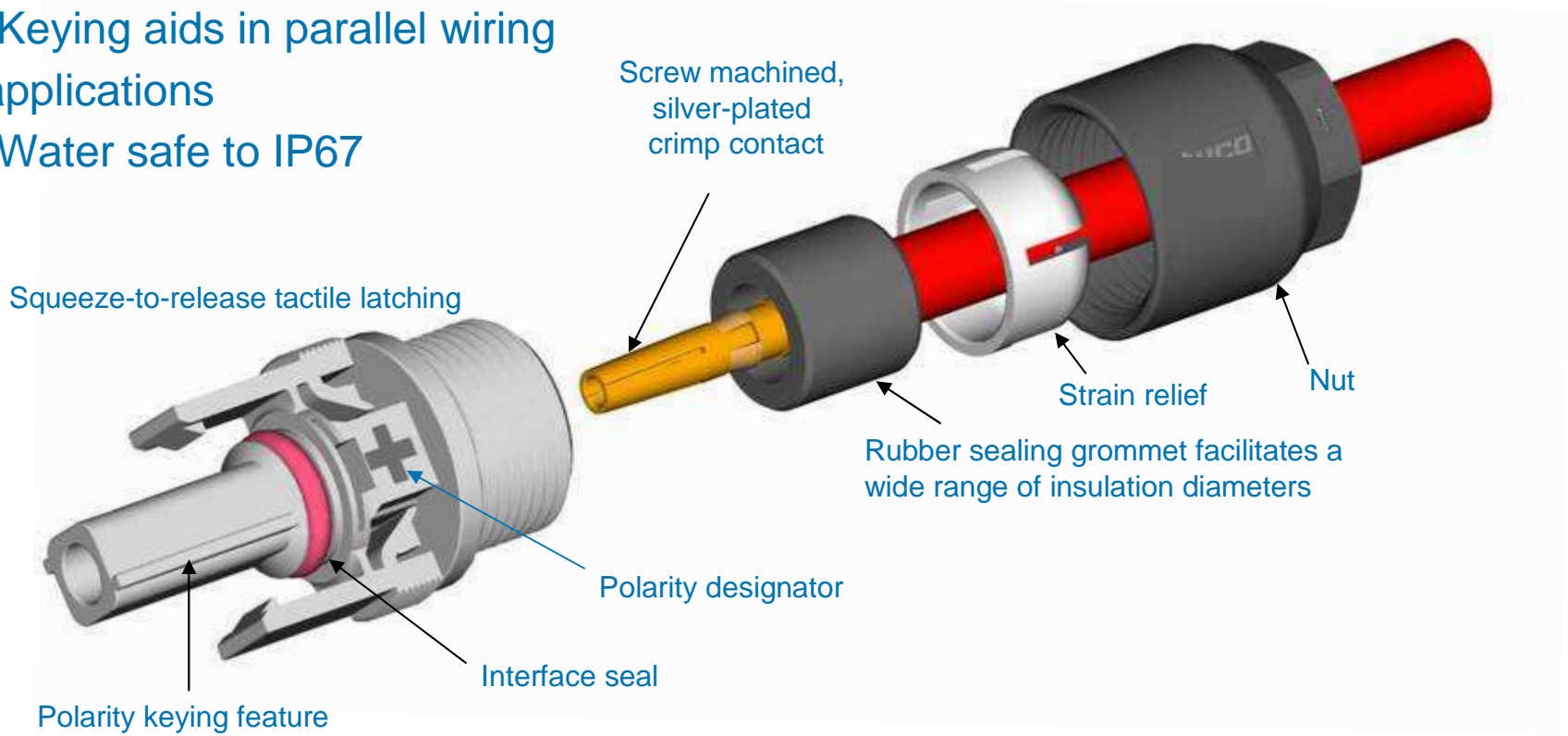
Plug and Play

Prevents mis-mating

Neutral male housing accepts plus or minus female housing!

Connector Breakout

- Plug and play
- Keying prevents mismatching
- Keying aids in parallel wiring applications
- Water safe to IP67



SOLARLOK Connector Benefits

- Designed with a simple wire crimp, connectors accommodate 10-14 awg, 6mm² – 2.5mm² solar wire
- Polarity keyed housings help to prevent mismatching
- Latching connectors help prevent accidental un-mating
- Silver plated contact for improved electrical performance
- TÜV and UL approved



SOLARLOK Contact Crimping Hand Tool

- The SOLARLOK hand crimping tool 1-1579004-2 for screw machined contacts accommodates 10-12 AWG and 4-6 mm² PV wire. The tool includes precision dies which are mounted in a crimping head and ratcheting handles to insure repeatable crimp performance.



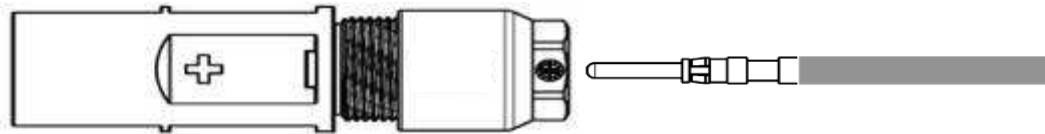
SOLARLOK Contact assembly



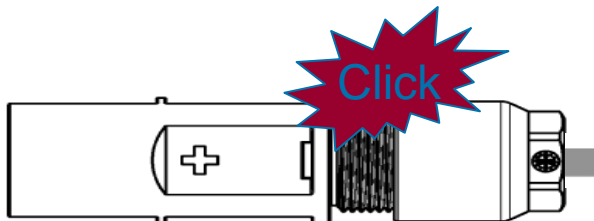
Stripping



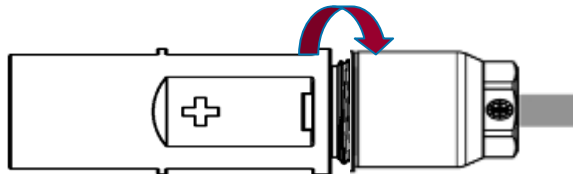
Crimping



Inserting



Seating



Tightening

T-Branch Connector

- For safe and simple parallel connection of PV modules
- Available in positive and negative keyed versions



Safety Clip for North America Installations

- Benefits
 - Meets NEC 2008 Article 690.33.c requirement for tooled extraction
 - Flat blade screw-driver for removal
 - Intended for up to five uses
- Mechanical
 - Incorporates a simple locking feature molded into the plastic to provide strong mechanical features, yet provides ease-of-use
- Material
 - Made from polycarbonate material that is UV rated to F-1



Specifications & Approvals

- Connector Product Specifications
 - 108-18701
- Connector Application Specifications
 - 114-18488
- Instruction Sheet
 - 408-10286
- UL File Number E226440
- TÜV 60025797

Additional Information

- Literature
 - SOLARLOK Photovoltaic Interconnection System product catalog, ordering number – 889753-3
 - SOLARLOK Locking Collar Connector Accessory flyer, ordering number – 1-1773455-4
- Web site
 - <http://www.te.com/products/SolarConnectors>
- SOLARLOK Cable Couplers Product Demonstration Video
 - Go to www.te.com/solar, view video on home page

Contacts

- Europe: Juri Bercovitz
 - (49) 6251-1331833
 - jbercovitz@te.com
- Americas: Sean McKenna
 - 1-717-592-2225
 - smmckenn@te.com
- Asia Pacific: Henry Ko
 - (886) 2-87682788EXT341
 - henry.ko@te.com