

4/5/6/7kW Grid-tied PV Inverter for North America

The CPS SCE series PV inverters are designed for the North America market and are compliant with UL and CSA standards. With advanced transformerless technology, the products reach a 97.5% maximum efficiency, providing competitive, long-term electricity generation benefits.

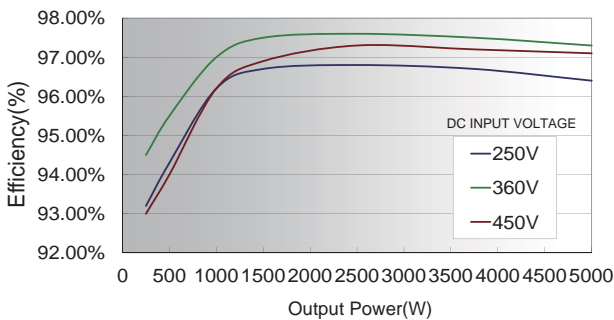
The enclosures are NEMA 3R rated for general outdoor application. Designed for high reliability and easy installation, CPS SCE series are the ideal choice for residential rooftop applications.



CPS SCE4/5/6/7KTL-O/US

Efficiency Curve

CPS SCE5KTL-O/US @ 240Vac



High Efficiency

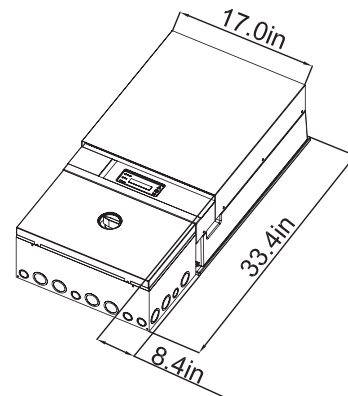
- Max. efficiency of 97.5%, CEC efficiency of 97%
- High speed and precise MPPT algorithm

High Reliability

- Standard warranty: 10 years
- Design for reliability
- Comprehensive protection functions
- GFCI embedded
- Comply with UL1741(2010), CSA C22.2 No.107.1-01, IEEE1547(2003), IEEE1547.1(2005)

Broad Adaptability

- Wide MPPT range enables flexible stringing
- NEMA 3R, outdoor application
- Quick installation and easy maintenance
- Lead-free, RoHS complied
- Integrated DC and AC disconnect
- Internal DC and AC fuse



Dimensions



Intertek
4004522

Conforms to UL Std. 1741
Cert. to CSA Std. C22.2 No.107.1-01



This device complies with
part 15 of the FCC Rules

| Model Name | CPS SCE4KTL-O/US | CPS SCE5KTL-O/US | CPS SCE6KTL-O/US | CPS SCE7KTL-O/US |
|------------------------------------|---|------------------|------------------|------------------|
| DC Input | | | | |
| Max. PV Power | 4.8kW | 6kW | 7.2kW | 8.4kW |
| Nominal DC Input Power | 4kW | 5kW | 6kW | 7kW |
| Max. DC Input Voltage | 600Vdc | | | |
| Operating DC Input Voltage Range | 100-515Vdc | | | |
| Start-up DC Input Voltage | 150Vdc | | | |
| Nominal DC Input Voltage | 360Vdc | | | |
| Number of MPP Trackers | 1 | | | |
| Number of DC Input Pairs | 4 | | | |
| MPPT Voltage Range | 225-500Vdc | 200-500Vdc | 200-500Vdc | 200-500Vdc |
| Max. Input Current (Imp) | 19A | 26A | 32A | 37A |
| Max. Input Current per String | 20A | | | |
| Max. Short Circuit Current (Isc) | 24A | 32.5A | 40A | 46.5A |
| DC Disconnection Type | Switch | | | |
| AC Output | | | | |
| Nominal AC Power @ 208Vac | 3.8kW | 4.6kW | 6kW | 7kW |
| Nominal AC Power @ 240Vac & 277Vac | 4kW | 5kW | 6kW | 7kW |
| Max. AC Power @ 208Vac | 3.8kW | 4.6kW | 6kW | 7kW |
| Max. AC Power @ 240Vac & 277Vac | 4kW | 5kW | 6kW | 7kW |
| Rated Output Voltage | 240V / Split phase | | | |
| Output Voltage Range @ 208Vac | 186-225Vac | | | |
| Output Voltage Range @ 240Vac | 215-260Vac | | | |
| Output Voltage Range @ 277Vac | 248-300Vac | | | |
| Grid Connection Type | Single phase / 240V Split phase | | | |
| Nominal AC Current @ 208Vac | 18.3A | 22.1A | 28.9A | 33.7A |
| Nominal AC Current @ 240Vac | 16.7A | 20.8A | 25 A | 29.2A |
| Nominal AC Current @ 277Vac | 14.4A | 18.1A | 21.7A | 25.3A |
| Max. AC Current @ 208Vac System | 18.5A | 22.5A | 30A | 35A |
| Max. AC Current @ 240Vac System | 18.5A | 22.5A | 28.5A | 33.2A |
| Max. AC Current @ 277Vac System | 16.4A | 20.5A | 24.6A | 28.7A |
| Rated Output Frequency | 60Hz | | | |
| Output Frequency Range | 59.3-60.5Hz | | | |
| Power Factor | >0.99 | | | |
| Current THD | <3% | | | |
| AC Disconnection Type | Switch | | | |
| System | | | | |
| Topology | Transformerless | | | |
| Max. Efficiency | 97.5% | | | |
| CEC Efficiency | 97.0% | | | |
| Stand-by / Night Consumption | <7W / <0.2W | | | |
| Environment | | | | |
| Protection Degree | NEMA 3R | | | |
| Cooling | Variable speed cooling fans | | | |
| Operating Temperature Range | -13°F to +122°F / -25°C to +50°C | | | |
| Operating Humidity | 0-95%, non-condensing | | | |
| Operating Altitude | 6562ft / 2000m without derating | | | |
| Display and Communication | | | | |
| Display | LCD + LED | | | |
| Communication | RS232, RS485 | | | |
| Mechanical Data | | | | |
| Dimensions (WxHxD) | 17.0x33.4x8.4in / 434x850x213mm | | | |
| Weight | 86lbs / 39kg | 90lbs / 41kg | 101lbs / 46kg | 101lbs / 46kg |
| Safety | | | | |
| Grid Trip Points | Meet fixed voltage and frequency settings for <30kW systems, per IEEE1547 section 4.2.3 and 4.2.4 | | | |
| Safety and EMC Standard | UL1741: 2010, CSA C22.2 No.107.1-01, FCC PART15 Class B | | | |
| Grid Standard | IEEE1547: 2003, IEEE1547.1: 2005 | | | |

Information furnished is believed to be accurate and reliable. However, Chint Power Systems assumes no responsibility for the consequences of use of such information nor for any infringement of patents or other rights of third parties which may result from its use. No license is granted by implication or otherwise under any patent or parent rights of Chint Power Systems. Specifications mentioned in this publication are subject to change without notice. This publication supersedes and replaces all information previously supplied.